

Axiohm A794 Next Generation Single Station Thermal Receipt Printer

Introducing the smaller, smarter, faster A794 from Axiohm. The ideal single station thermal receipt printer for retail, kitchen environments and hospitality applications.

The A794 offers the same ultra-reliable quality you have come to expect from Axiohm, plus many new features.



Axiohm™

Revolutionary

In 1993, we revolutionized the industry with our A793 printer with our Clamshell™ drop-in paper loading system. Now, we're back with the next generation.

Smaller, Smarter, Faster

The A794 offers the same ultra-reliable quality of the A793, plus many new features.

Smaller Footprint, Larger Paper Roll

At 144 mm x 185 mm x 130 mm, it's smaller and more compact than any comparable printer on the market. At the same time it also features a large 90 mm (outside diameter) paper roll capacity.

One Button Programming

With the push of a single button, you can program the baud rate, interface, paper-saving feature and energy consumption mode.

More Printing Speed

The A794 prints 40 lines per second, making it the fastest printer in its class. This dramatically reduces the waiting time at the POS.

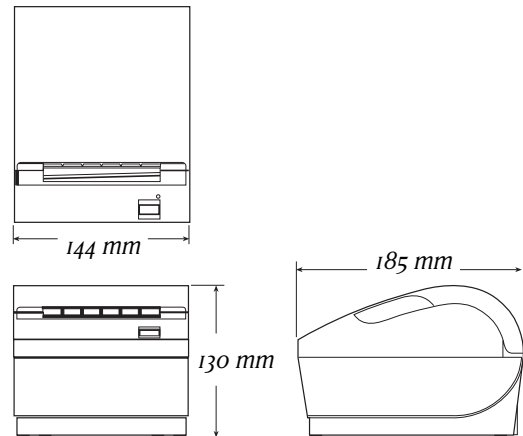
Print Method	Direct Thermal, 203 DPI
Character Cell Size	13 x 24, 10 x 24
CPI	15.6, 20.3
Print Columns	44 & 56 Columns
Character Set(s)	Code Page 437, 850, 852 and several expanded sets including JIS I/II Kanji
Bar Codes	UPC-A, UPC-E, Code 39, Code128, JAN8 and JAN13 (EAN), Interleaved 2 of 5, Codabar
Printing Speed	40 LPS (130 mm/s)
Auto Cutter	Full and Partial Cut Selectable
Data Buffer	4K
User Memory	64K up to 832K Flash Shared (graphics, logos, user defined characters)
Communication Interface(s)	Mother/Daughter Board Architecture Supports: RS-232, IEEE 1284 Bi-directional Parallel, USB, Ethernet
Cash Drawer Control	1-2 Drawers
Paper Type	Direct Thermal, POS Grade(s)
Paper Roll (W x D)	80 mm x 90 mm Dia. (3.15" x 3.55" Dia.)
Paper Saving System	Selectable Firmware Control
Power	24 VDC +/- 5%
Certifications	EMI: FCC Class A, CE, Class B, C-Tick (Australia), VCCI Safety: UL 1950, CSA 22.2 No. 950, EN 60 950, T-Mark
Reliability	150 km Paper (45 Million Lines) 1.5 Million Autocuts
Dimensions (W x D x H)	144 mm x 185 mm x 130 mm (5.65" x 7.27" x 5.10")
Weight	Approximately 1.2 kg (2.7 lbs.)
Control Language	ECS/POS Compatible
Printer Drivers	OLE POS for Windows Compatible and Windows/Windows NT

Windows® and Windows NT® are trademarks of Microsoft Corporation.
*Per Axiohm standard test conditions

A794 Detailed Features

Various hardware options can customize the A794 printer to your application:

- Available in 2 colors: light grey or charcoal.
- Printer wall mounting kit as an option for use in the kitchen for space saving purposes.



Other Axiohm Products

Axiohm supplies a large family of OEM mechanisms and accessories which offers customers a wider choice for applications and maximum flexibility in design. Furthermore, an extensive range of finished printer products is also available for ticket and label printing.

For Additional Information About Axiohm Products Contact the Addresses Below or Visit our Website at www.axiohm.com

France	USA	United Kingdom	Asia-Pacific	Japan
1-9, rue d'Arcueil BP 675 92542 Montrouge Cedex Tel.: (33) 1 47 46 78 00 Fax: (33) 1 46 55 13 44	950 Danby Road Ithaca, NY 14850 Tel.: (1) 800 732 8950 (1) 607 274 2500 Fax: (1) 607 274 2404	Atlantic Street Altrincham Cheshire WA14 5QJ UK Tel: (44) (0) 161 929 9933 Fax: (44) (0) 161 927 7664	PO Box 677 Level 3, 39 Leighton Pl. Hornsby NSW 2077 Australia Tel: (61) (0) 2 9477 1999 Fax: (61) (0) 2 9477 1453	Daichi Tanaka Bilg 7F, 1-1, 2 Chome Yanagibashi Taito-Ku TOKYO 111 Tel.: (81) 338 629 880 Fax: (81) 338 629 770